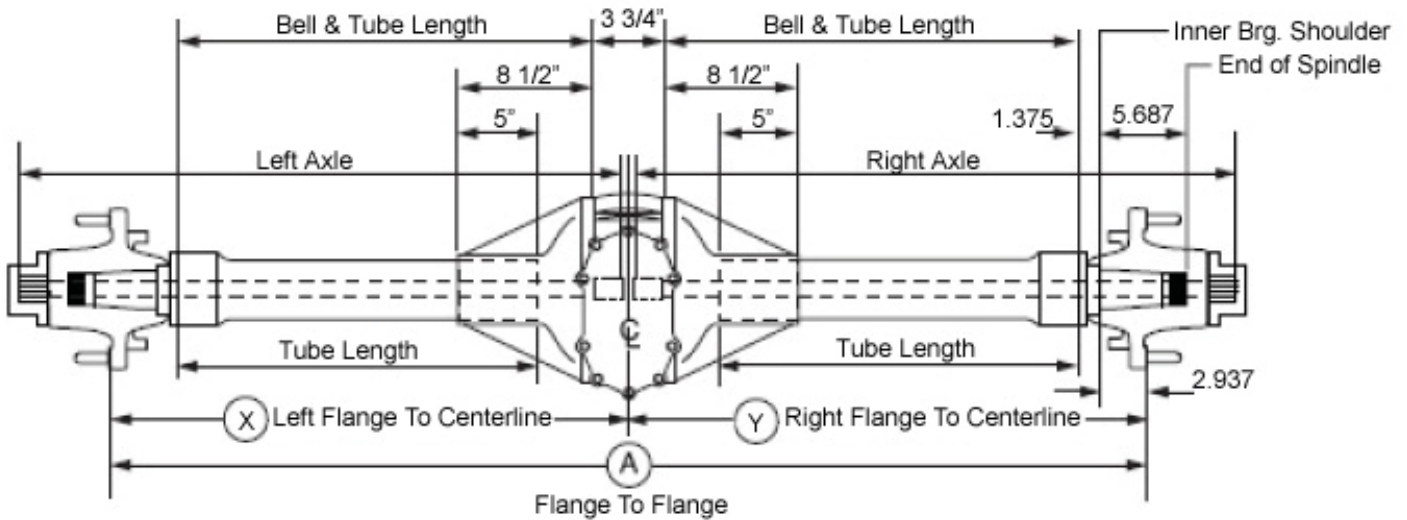




800-278-2692

8-Bolt Quick Change Order Sheet

Use the form below to fill in your measurements and select your options before calling with your order. Our sales staff will review your order before it is placed with Winters. We will also check to see how long the build time will be for your order. All rearends are made to order and are not returnable.



These 3 measurements are needed to order your rear:

- _____ **A** - The track width - width from flange to flange of hub where wheel bolts on
- _____ **X** - Left hub flange to centerline of rear
- _____ **Y** - Right hub flange to centerline of rear

Straight up rears: X and Y are equal length

Offset rears: Y is longer than X (Example: on a rear with 1" offset, Y will be 2" longer than X, which shifts center section 1" to the left.)

With these measurements we can determine what length axle tubes and axles you need.

Select options & fill in below

Options	Description	Price
WIN5280	Quick Change Rear with 8-Bolt Tubes - Aluminum	\$1249.00

All rearends are made to order and are not returnable.